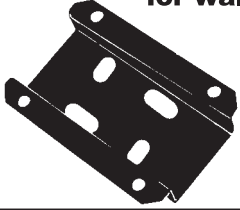
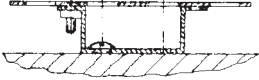
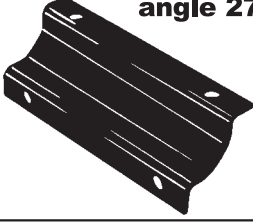
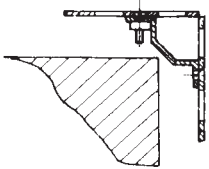
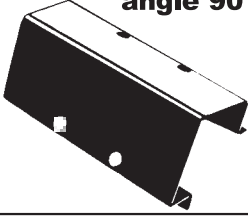
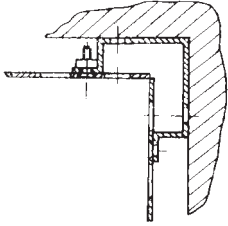
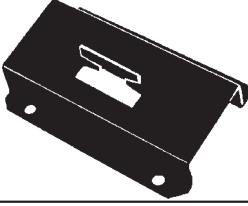
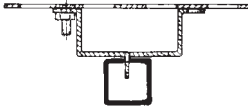


article.	used for
<p>1 mounting- clip for walls</p> 	<p>... mounting toolboards on walls.</p> <p>... connecting two toolboards plane and seamless</p> 
<p>2 mounting- clip; angle 270°</p> 	<p>...connecting two toolboards in an angle of 270 degrees</p> 
<p>3 mounting- clip; angle 90°</p> 	<p>...connecting two toolboards in an angle of 90 degrees</p> 
<p>4 mounting- clip for tool- racks</p> 	<p>...hanging toolboards in special frames with oblong perforations</p> 
<p>prices:* no. 1: \$ 0,80 no. 3: \$ 2,40 no. 2: \$ 2,40 no. 4: \$ 0,80</p> <p>* including screws, nuts and plugs</p>	<p>attachement of mounting-clips on the backside of the toolboards by countersunks according mounting instructions</p> <p>mounting a toolboard to the wall by screwing the special screws through the keyholes from the front position</p>