



ASSEMBLY INSTRUCTIONS CONCERNING THE SAFETY LOCK FOR THE TOOLBOARD CABINET

The lock assembly kit for the ENKU tower cabinet includes the following items:

Item no.	Amount	Article no.:	Description
1	1	501251	Handle fitted with lock and key
2	2	501254	Keys
3	1	501252	Handle attachment
4	1	501253	Eskutcheon
5	4	914510	Hexagon head srew M 10 x 45
6	2	911254	Countersunk srew M 5 x 16
7	4	921110	Cap nut M10
8	2	921255	Self-locking hexagon head nut M 5
9	8	945010	Washer

Assembly Steps (please also refer to the assembly drawing below):

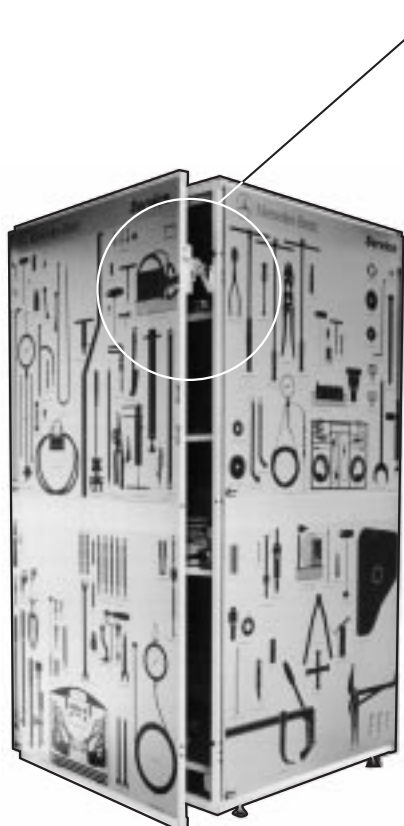
1. Screw together the handle-lock (item 1) and the handle-lock-attachment (item 3) using the countersunk screws (item 8)
2. Now mount the handle attachment using two hexagon head screws (item 5), two washers (item 9), and two cap nuts (item 7) on the door-steel-frame..

NOTICE: The door-steel-frame no longer closes always flush with the assembly-frame on their external side, due to the alignment of the door hinges. Therefore, in the most unfortunate circumstances the handle attachment may collide with the assembly-frame when closing the door. In this case please insert some washers (item 9), - a sufficient number comes with the shipment, - between handle attachment and door-steel-frame.

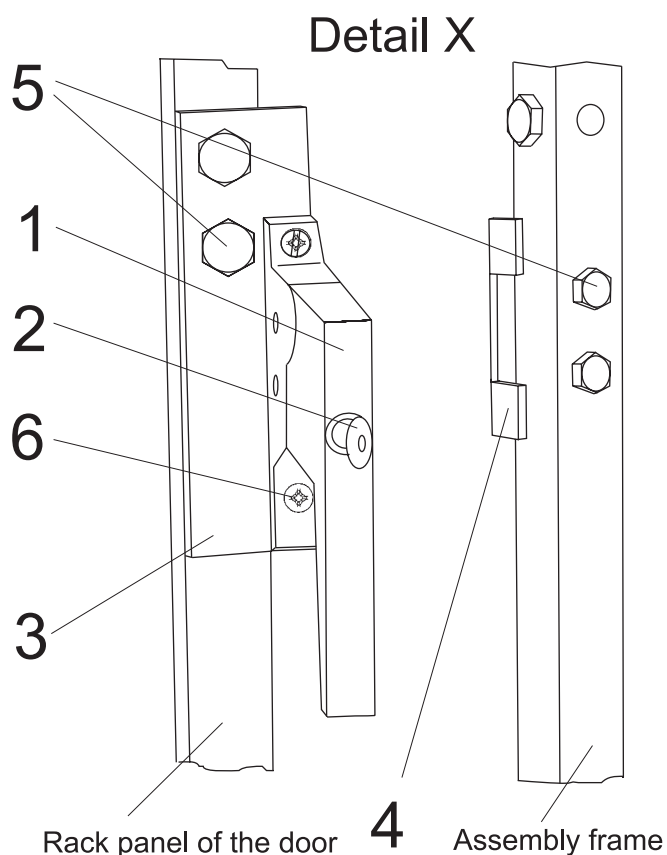
3. Now fasten the eskutcheon (item 4) using the remaining screws (item 5), washers (item 9), and the cap nuts (item 7) on the assembly frame.

NOTICE: To align the handle attachment to the eskutcheon, you should begin by sturdily tightening the screws. Only after having checked the lock for perfect function, tighten the screws.

Final Note: In principle the assembly of the lock is the same wether the door is fixed on the right or on the left. The difference only lies in a symmetrical position of the lock.



Detail X



Rack panel of the door

4

Assembly frame