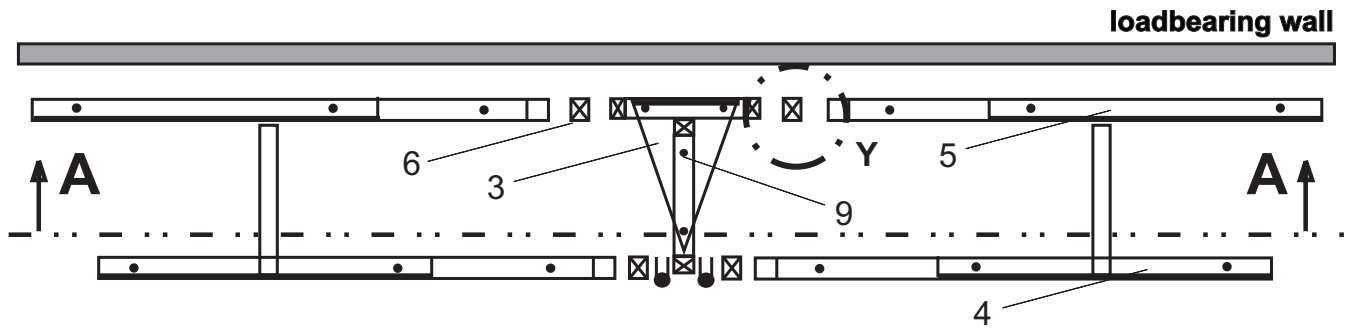
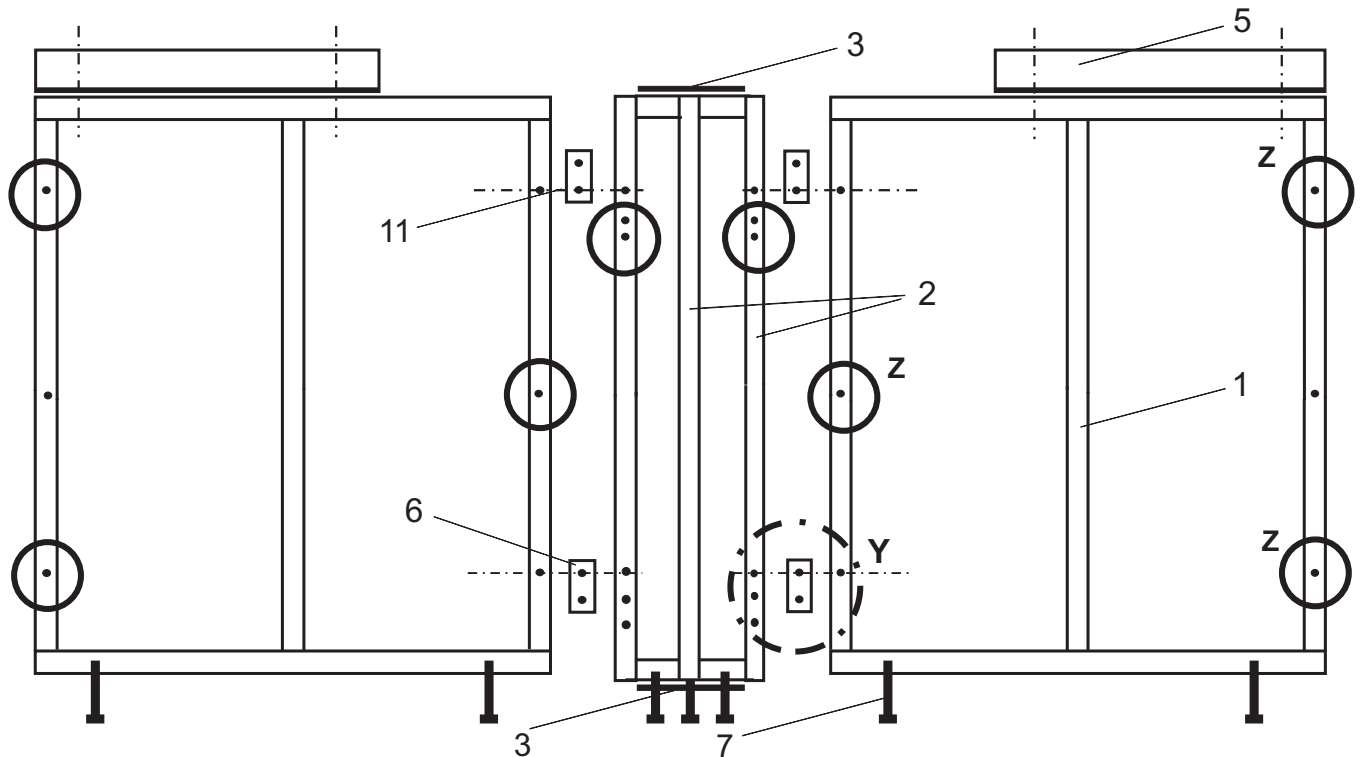


# Toolboard BUTTERFLY "COMFORT".

## mounting sketch: BASIC KIT



View A-A



### Mounting Instructions

- Before you hang a toolboard on to a frame: screw **ALL** frames and accessory parts **completely together**
- Adjust the complete framework with the base-screws (7) until it stands 100% in "water-table".  
Pivoting frames must not open by themselves
- Dowel the framework onto the wall and hang the boards on the stationary and pivoting frames (1)
- If any pivoting frame opens by itself adjust the according mounting frames (2) with their base-screws (7)
- If you prefer to mount the Butterfly as an **FREE STANDING ISLAND** somewhere in your workshop, you need a possibility to screw or dowel the framework with the ceiling **AND** the floor

### LEGEND:

- 1 - Toolboard frame
- 2 - Mounting frame
- 3 - Triangle mounting plate
- 4 - Display- and Buffer-element WITH spacing-pin
- 5 - Display- and Buffer-element WITHOUT spacing-pin
- 6 - 4-hole distance-element
- 7 - Adjustable base-screw
- 8 - Hinge
- 9 - Screw M10x45
- 10 - Screw M10x80
- 11 - long threaded pin
- 12 - Set of framemounting clips
- 13 - Tube plug

### Basic | Extension

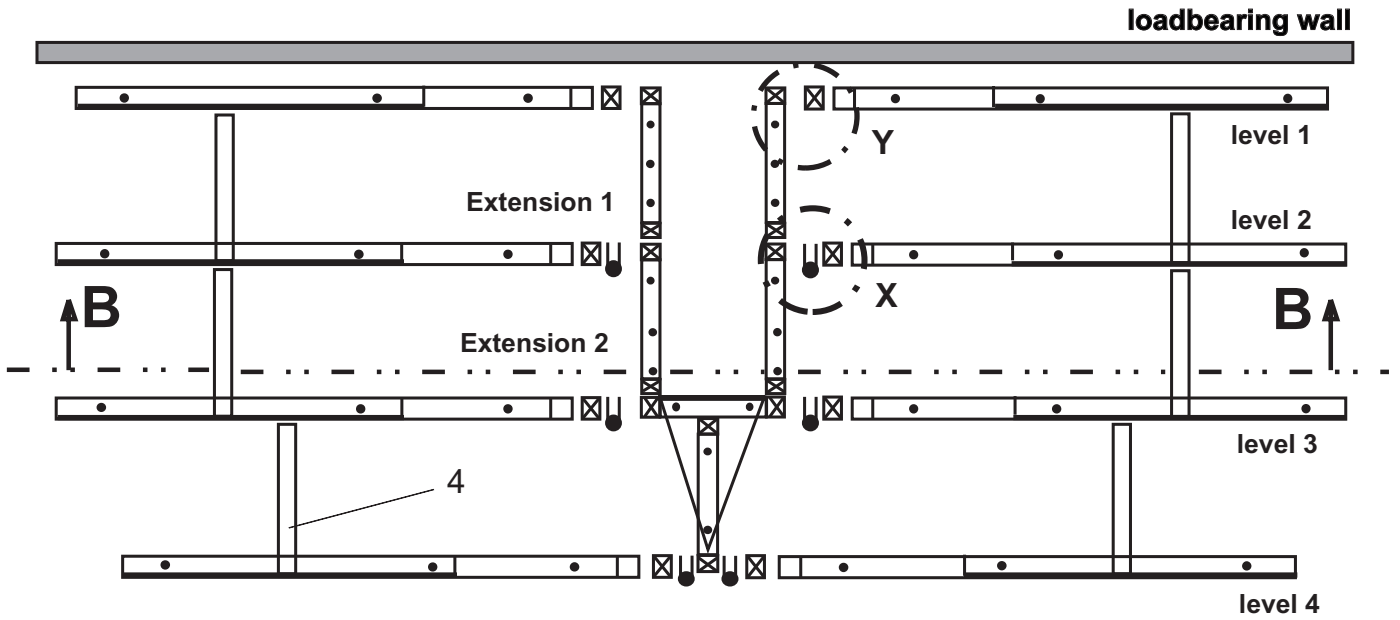
	Basic	Extension
1 - Toolboard frame	4	2
2 - Mounting frame	2	2
3 - Triangle mounting plate	2	-
4 - Display- and Buffer-element WITH spacing-pin	2	2
5 - Display- and Buffer-element WITHOUT spacing-pin	2	-
6 - 4-hole distance-element	8	4
7 - Adjustable base-screw	8	4
8 - Hinge	4	4
9 - Screw M10x45	24	24
10 - Screw M10x80	8	16
11 - long threaded pin	8	0
12 - Set of framemounting clips	12	8
13 - Tube plug	38	22

Z - Recommended place  
For wall-dowels

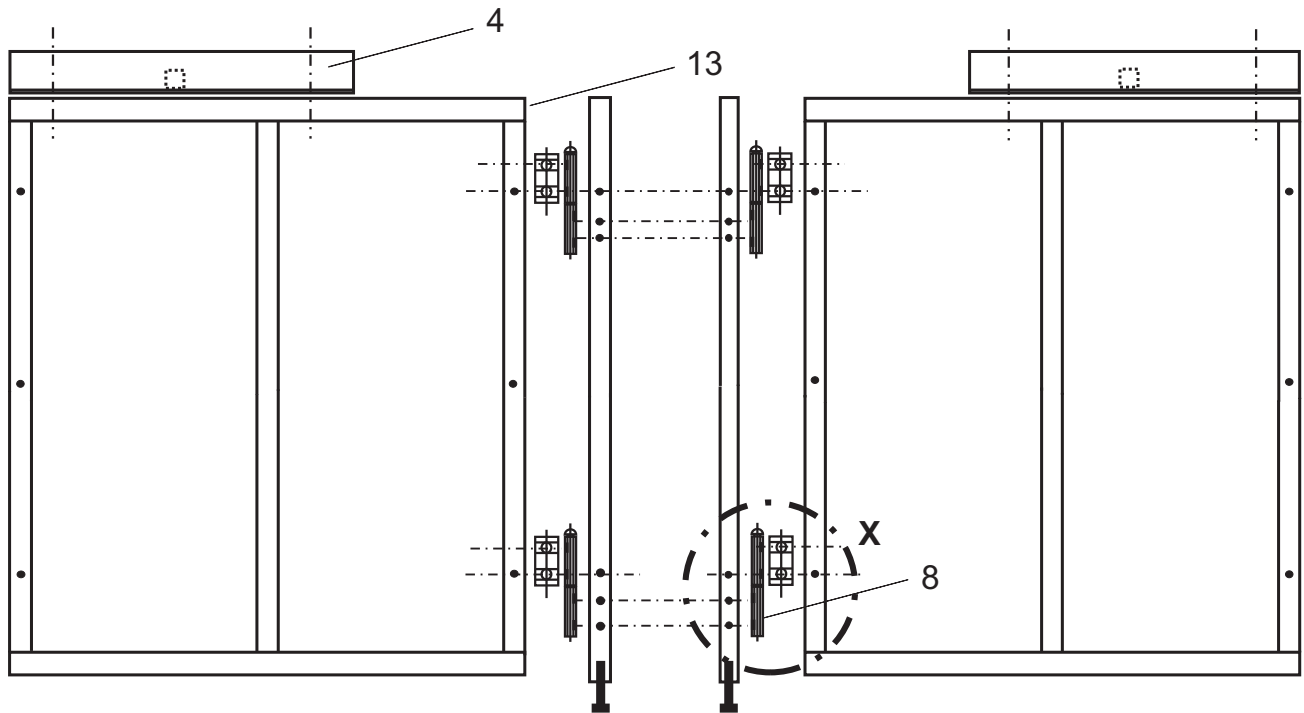


# Toolboard Butterfly "COMFORT".

mounting sketch: BASIC KIT and two extensions



View B-B



Details at X

Details at Y

